

Technical Data Sheet

CODE 30327

C 30/4 M E



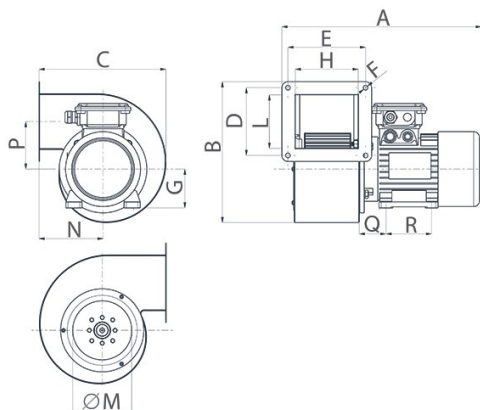
Certifications



Technical and performance data

Frequency (Hz)	50	Voltage (V)	230
Insulation class	I°	Weight (Kg)	9
Max absorbed current (A)	0,582	Max airflow (l/s)	194
Max absorbed power (W)	132	Max airflow (m³/h)	700
Max ambient temperature for continuous operation (°C)	50	Max pressure (mmH2O)	19,8
Motor protection IP	55	Max pressure (Pa)	194
Number of phases (Ph)	1	RPM	1400
Number of poles	4	Sound pressure Lp [dB (A)] at 3 m	55

Dimensions



Dimension Q (mm)	45
Dimension R (mm)	90
Size A (mm)	352
Size B (mm)	308
Size C (mm)	272
Size D (mm)	126
Size E (mm)	137
Size F (mm)	8,5
Size G (mm)	71
Size H (mm)	117
Size L (mm)	108
Size M (mm)	∅ 132
Size N (mm)	131
Size P (mm)	111
Size S (mm)	112

PER INFORMAZIONI / FOR INFORMATION

ITALY

Pre Sales:
prevendita@vortice-italy.com
After Sales:
postvendita@vortice-italy.com

UNITED KINGDOM & REP. OF

IRELAND
Sales Dept:
sales@vortice.ltd.uk
Technical Dept:
technical@vortice.ltd.uk

OTHER COUNTRIES

Sales Dept:
export@vortice-italy.com
After Sales:
after-sales@vortice-italy.com

Technical Data Sheet

CODE 30327

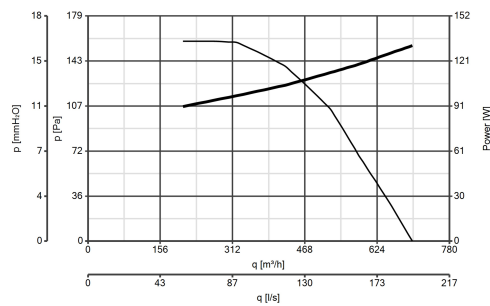
C 30/4 M E



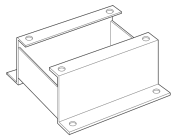
Description

- Frame and scroll: painted pressed steel, with multiple fixing holes configured to allow alignment of the motor in 8 different positions relative to the outlet port.
- Single phase AC motor with 1 operating speed and shaft turning in ball bearings.
- Centrifugal impeller with forward-curved blades of zinc-coated steel, dynamically balanced (UNI ISO 1940, Point 1 – Class 6.3).
- Maximum air flow: 700 m³/h.

Curves

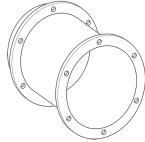


Accessories



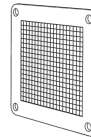
C-MS 30
(SUPPORTO
MOTORE)

Code 22837



C-RA 30
(RACCORDO DI
ASPIRAZIONE)

Code 22829



C-GM 30
(GRIGLIA
PROT.MANDATA)

Code 22816



C-GA 30
(GRIGLIA
PROT.ASPIRAZIONE)

Code 22804



IREM INVERTER
4 M

Code 12815

PER INFORMAZIONI / FOR INFORMATION

ITALY
Pre Sales:

UNITED KINGDOM & REP. OF
IRELAND
Sales Dept:

OTHER COUNTRIES
Sales Dept:

prevendita@vortice-italy.com
After Sales:
postvendita@vortice-italy.com

sales@vortice.ltd.uk
Technical Dept:
technical@vortice.ltd.uk

export@vortice-italy.com
After Sales:
after-sales@vortice-italy.com