

Technical Data Sheet

CODE 30310

C35/4T ATEX II 2G/D H T3/125°C X GB/DB

Centrifugal fans for installation in potentially explosive areas



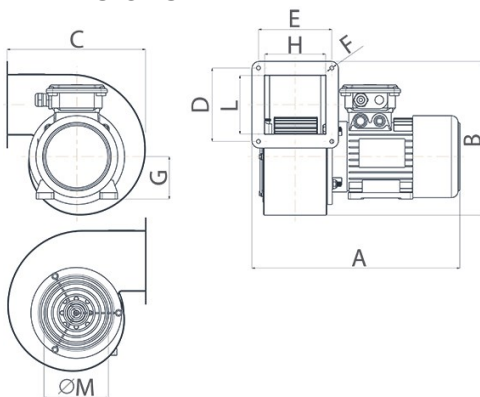
Certifications

CE  ATEX-CE

TECHNICAL AND PERFORMANCE DATA

| | | | |
|---|------|-----------------------------------|-------|
| Frequency (Hz) | 50 | Number of speeds | 1 |
| Insulation class | I° | Voltage (V) | 400 |
| IP | 65 | Weight (Kg) | 11,5 |
| Max absorbed current (A) | 1,02 | Max airflow (l/s) | 416,7 |
| Max absorbed power (W) | 401 | Max airflow (m³/h) | 1500 |
| Max ambient temperature for continuous operation (°C) | + 40 | Max pressure (mmH2O) | 34 |
| Min continuous operation room temperature (°C) | - 20 | Max pressure (Pa) | 334 |
| Number of phases (Ph) | 3 | RPM | 1400 |
| Number of poles | 4 | Sound pressure Lp [dB (A)] at 3 m | 61 |

DIMENSIONS



| | |
|------------------|-----|
| Dimension Q (mm) | 136 |
| Dimension R (mm) | 90 |
| Size A (mm) | 400 |
| Size B (mm) | 400 |
| Size C (mm) | 340 |
| Size D (mm) | 164 |
| Size E (mm) | 174 |
| Size F (mm) | 8,5 |
| Size G (mm) | 71 |
| Size H (mm) | 149 |
| Size L (mm) | 137 |
| Size M (mm) | 170 |
| Size N (mm) | 190 |
| Size O (mm) | 200 |
| Size P (mm) | 112 |
| Size S (mm) | 108 |

PER INFORMAZIONI:

Servizio al Cliente: tel +39 02 90699395 premendo 1 dopo messaggio registrato (consulenza su prodotti e impianti)

Pre & Post Vendita: fax +39 02 90699302

Email prevendita: prevendita@vortice-italy.com

Technical Data Sheet

CODE 30310

C35/4T ATEX II 2G/D H T3/125°C X GB/DB



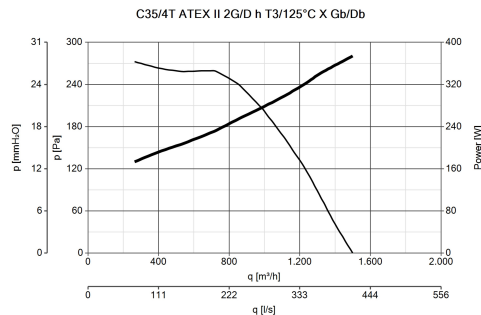
Centrifugal fans for installation in potentially explosive areas

DESCRIPTION

- Scroll made of pressed steel, pickled and phosphated, and treated initially with epoxy base coat; thereafter, grey textured finish obtained by applying a coat of polyurethane powder paint strengthened by oven baking. Scroll housings drilled with holes to allow repositioning of the outlet port (LG90).
- Inlet port made of copper.
- Mesh grille on inlet port made of steel wire, zinc-coated, pickled and phosphated, epoxy powder coated and baked in oven, colour black.
- Frame and scroll: painted pressed steel, with multiple fixing holes configured to allow alignment of the motor in 8 different positions relative to the outlet port (see drawing attached).
- 1 speed three-phase AC motor with shaft turning in double shielded ball bearings, size to UNEL MEC standard, flange B35, manufactured employing methods and materials suitable for use in environments

- with potentially explosive atmospheres, according to Explosion Protection standards EN ISO 80079-36:2016; EN 14986:2017.
- Centrifugal impeller made of aluminium, with forward blades and diecast aluminium hub.
- Maximum air flow 1500 m³/h
- Aluminium cooling fan
- Pressed steel motor cover.
- Metal cable gland for electrical connection.
- Wiring box enclosure rating IP65.
- IMQ-certified for use in areas at risk of explosion due to presence of gas and dust:
- IMQ 10 ATEX 029 X; GR II cat. 2G/D h T3/125 X

CURVES



ACCESSORIES



C-RA 31/35

ATEX(RACCORDO GV2 ME06

DI

Code 21115

ASPIRAZIONE)

Code 21035

PER INFORMAZIONI:

Servizio al Cliente: tel +39 02 90699395 premendo 1 dopo messaggio registrato (consulenza su prodotti e impianti)

Pre & Post Vendita: fax +39 02 90699302

Email prevendita: prevendita@vortice-italy.com