

Technical Data Sheet

CODE 30951

C 15/2 T

Centrifugal fans



Certifications

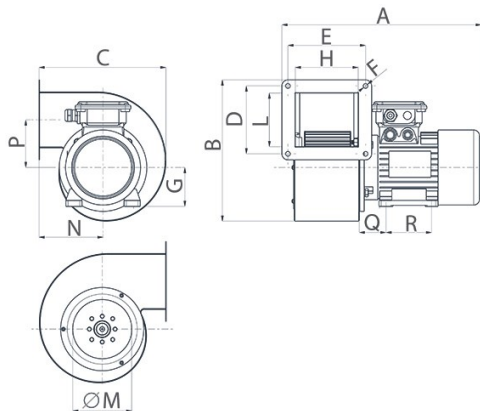
CE CE

EAC EAC

TECHNICAL AND PERFORMANCE DATA

Absorbed current at 230 V (A)	0,60	Motor ATEX marking	55
Absorbed current at 400 V (A)	0,35	Number of poles	2
Frequency (Hz)	50	Voltage (V)	230/400
Insulation class	I°	Weight (Kg)	3,3
IP	55	Max airflow (l/s)	119,4
Max absorbed current (A)	0,60	Max airflow (m³/h)	430
Max absorbed power (W)	160	Max pressure (mmH2O)	43
Max ambient temperature for continuous operation (°C)	50	Max pressure (Pa)	422
Max temperature of exhaust air (continuous operation)	50	RPM	2800
		Sound pressure Lp [dB (A)] at 3 m	59

DIMENSIONS



Dimension Q (mm)	36
Dimension R (mm)	71
Size A (mm)	281
Size B (mm)	234
Size C (mm)	206
Size D (mm)	108
Size E (mm)	100
Size F (mm)	7
Size G (mm)	56
Size H (mm)	83
Size L (mm)	88
Size M (mm)	∅ 108
Size N (mm)	99
Size P (mm)	79

PER INFORMAZIONI:

Servizio al Cliente: tel +39 02 90699395 premendo 1 dopo messaggio registrato (consulenza su prodotti e impianti)

Pre & Post Vendita: fax +39 02 90699302

Email prevendita: prevendita@vortice-italy.com

Technical Data Sheet

CODE 30951

C 15/2 T

Centrifugal fans



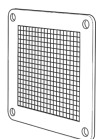
DESCRIPTION

- Frame and scroll: painted pressed steel, with multiple fixing holes configured to allow alignment of the motor in 8 different positions relative to the outlet port.
- Three-phase AC motor with 1 operating speed and shaft turning in ball bearings.
- Centrifugal impeller with forward-curved blades of zinc-coated steel, dynamically balanced (UNI ISO 1940, Point 1 – Class 6.3).
- Maximum air flow: 430 m³/h.

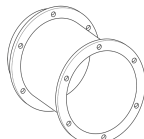
ACCESSORIES



C-GA 15
(GRIGLIA
PROT.ASPIRAZIONE)
Code 22802



C-GM 15
(GRIGLIA
PROT.MANDATA)
Code 22812



C-RA 15
(RACCORDO DI
ASPIRAZIONE)
Code 22826



IRET INVERTER
2,5 M
Code 12816

PER INFORMAZIONI:

Servizio al Cliente: tel +39 02 90699395 premendo 1 dopo messaggio registrato (consulenza su prodotti e impianti)

Pre & Post Vendita: fax +39 02 90699302

Email prevendita: prevendita@vortice-italy.com