

Technical Data Sheet

CODE 30306

C25/2T ATEX II 2G/D H T3/125°C X GB/DB

Centrifugal fans for installation in potentially explosive areas



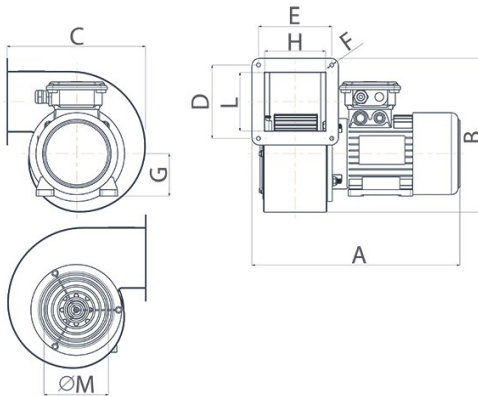
Certifications

CE  ATEX-CE

TECHNICAL AND PERFORMANCE DATA

Frequency (Hz)	50	Number of speeds	1
Insulation class	I°	Voltage (V)	400
IP	65	Weight (Kg)	8,5
Max absorbed current (A)	1,10	Max airflow (l/s)	305,6
Max absorbed power (W)	482	Max airflow (m³/h)	1100
Max ambient temperature for continuous operation (°C)	+ 40	Max pressure (mmH2O)	67
Min continuous operation room temperature (°C)	- 20	Max pressure (Pa)	657
Number of phases (Ph)	3	RPM	2800
Number of poles	2	Sound pressure Lp [dB (A)] at 3 m	66,5

DIMENSIONS



Dimension Q (mm)	136
Dimension R (mm)	90
Size A (mm)	365
Size B (mm)	258
Size C (mm)	232
Size D (mm)	124
Size E (mm)	142
Size F (mm)	8,5
Size G (mm)	71
Size H (mm)	115
Size L (mm)	98
Size M (mm)	108
Size N (mm)	146
Size O (mm)	142
Size P (mm)	112
Size S (mm)	108

PER INFORMAZIONI:

Servizio al Cliente: tel +39 02 90699395 premendo 1 dopo messaggio registrato (consulenza su prodotti e impianti)

Pre & Post Vendita: fax +39 02 90699302

Email prevendita: prevendita@vortice-italy.com

Technical Data Sheet

CODE 30306

C25/2T ATEX II 2G/D H T3/125°C X GB/DB



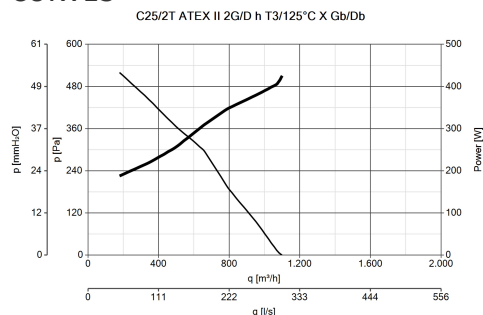
Centrifugal fans for installation in potentially explosive areas

DESCRIPTION

- Scroll made of pressed steel, pickled and phosphated, and treated initially with epoxy base coat; thereafter, grey textured finish obtained by applying a coat of polyurethane powder paint strengthened by oven baking. Scroll housings drilled with holes to allow repositioning of the outlet port (LG90).
- Inlet port made of copper.
- Mesh grille on inlet port made of steel wire, zinc-coated, pickled and phosphated, epoxy powder coated and baked in oven, colour black.
- Frame and scroll: painted pressed steel, with multiple fixing holes configured to allow alignment of the motor in 8 different positions relative to the outlet port (see drawing attached).
- 1 speed three-phase AC motor with shaft turning in double shielded ball bearings, size to UNEL MEC standard, flange B35, manufactured employing methods and materials suitable for use in environments

- with potentially explosive atmospheres, according to Explosion Protection standards EN ISO 80079-36:2016; EN 14986:2017.
- Centrifugal impeller made of aluminium, with forward blades and diecast aluminium hub.
- Maximum air flow 1100 m³/h
- Aluminium cooling fan
- Pressed steel motor cover.
- Metal cable gland for electrical connection.
- Wiring box enclosure rating IP65.
- IMQ-certified for use in areas at risk of explosion due to presence of gas and dust:
- IMQ 10 ATEX 029 X; GR II cat. 2G/D h T3/125 X

CURVES



ACCESSORIES



C-RA 20/25

ATEX(RACCORDO GV2 ME06

DI

Code 21115

ASPIRAZIONE)

Code 21033

PER INFORMAZIONI:

Servizio al Cliente: tel +39 02 90699395 premendo 1 dopo messaggio registrato (consulenza su prodotti e impianti)

Pre & Post Vendita: fax +39 02 90699302

Email prevendita: prevendita@vortice-italy.com