

Technical Data Sheet

CODE 30302

C 10/2 M

Centrifugal fans



Certifications

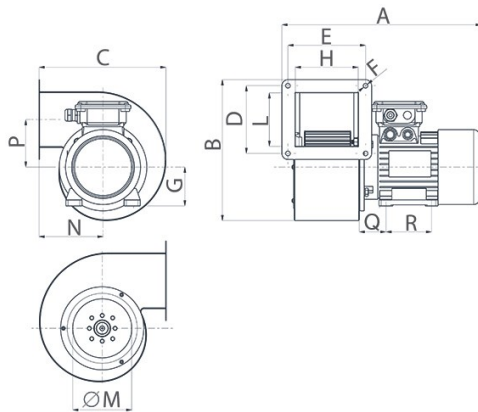
CE CE

EAC EAC

TECHNICAL AND PERFORMANCE DATA

Frequency (Hz)	50	Voltage (V)	230
Insulation class	I°	Weight (Kg)	2,7
Max absorbed current (A)	0,45	Max airflow (l/s)	83,3
Max absorbed power (W)	100	Max airflow (m³/h)	300
Max ambient temperature for continuous operation (°C)	50	Max pressure (mmH2O)	25
Motor ATEX marking	55	Max pressure (Pa)	245
Number of poles	2	RPM	2800
		Sound pressure Lp [dB (A)] at 3 m	55,5

DIMENSIONS



Dimension Q (mm)	36
Dimension R (mm)	71
Number of clamps	4
Size A (mm)	260
Size B (mm)	186
Size C (mm)	171
Size D (mm)	72
Size E (mm)	82
Size F (mm)	6,5
Size G (mm)	56
Size H (mm)	68
Size L (mm)	63
Size M (mm)	∅ 80
Size N (mm)	81
Size P (mm)	66,5

PER INFORMAZIONI:

Servizio al Cliente: tel +39 02 90699395 premendo 1 dopo messaggio registrato (consulenza su prodotti e impianti)

Pre & Post Vendita: fax +39 02 90699302

Email prevendita: prevendita@vortice-italy.com

Technical Data Sheet

CODE 30302

C 10/2 M

Centrifugal fans



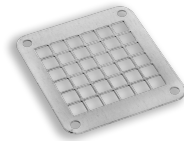
DESCRIPTION

- Frame and scroll: painted pressed steel, with multiple fixing holes configured to allow alignment of the motor in 8 different positions relative to the outlet port.
- Single phase AC motor with 1 operating speed and shaft turning in ball bearings.
- Centrifugal impeller with forward-curved blades of zinc-coated steel, dynamically balanced (UNI ISO 1940, Point 1 – Class 6.3).
- Maximum air flow: 300 m³/h.

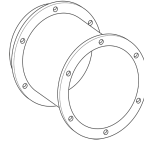
ACCESSORIES



C-GA 10
(GRIGLIA
PROT.ASPIRAZIONE)
Code 22801



C-GM 10
(GRIGLIA
PROT.MANDATA)
Code 22811



C-RA 10
(RACCORDO DI
ASPIRAZIONE)
Code 22825



IREM INVERTER
4 M
Code 12815

PER INFORMAZIONI:

Servizio al Cliente: tel +39 02 90699395 premendo 1 dopo messaggio registrato (consulenza su prodotti e impianti)

Pre & Post Vendita: fax +39 02 90699302

Email prevendita: prevendita@vortice-italy.com