

Technical Data Sheet

CODE 30902

C 15/2 M

Centrifugal fans



Certifications

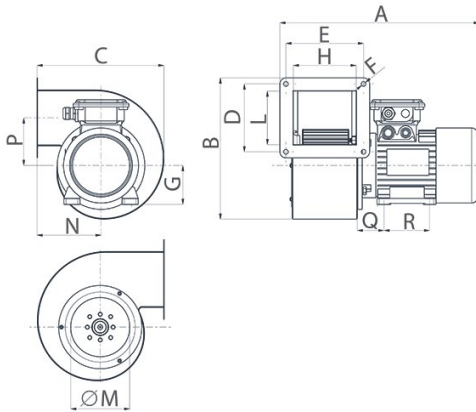
CE CE

EAC EAC

TECHNICAL AND PERFORMANCE DATA

Absorbed current at 230 V (A)	0,70	Number of poles	2
Absorbed power at 230 V (W)	160	Voltage (V)	230
Frequency (Hz)	50	Weight (Kg)	5
Insulation class	I°	Max airflow (l/s)	125
Max absorbed current (A)	0,70	Max airflow (m³/h)	450
Max absorbed power (W)	160	Max pressure (mmH2O)	45
Max ambient temperature for continuous operation (°C)	50	Max pressure (Pa)	441
Max temperature of exhaust air (continuous operation)	50	RPM	2800
Motor ATEX marking	55	Sound pressure Lp [dB (A)] at 3 m	59

DIMENSIONS



Dimension Q (mm)	36
Dimension R (mm)	71
Size A (mm)	281
Size B (mm)	234
Size C (mm)	206
Size D (mm)	108
Size E (mm)	100
Size F (mm)	7
Size G (mm)	56
Size H (mm)	83
Size L (mm)	88
Size M (mm)	∅ 108
Size N (mm)	99
Size P (mm)	79

PER INFORMAZIONI:

Servizio al Cliente: tel +39 02 90699395 premendo 1 dopo messaggio registrato (consulenza su prodotti e impianti)

Pre & Post Vendita: fax +39 02 90699302

Email prevendita: prevendita@vortice-italy.com

Technical Data Sheet

CODE 30902

C 15/2 M

Centrifugal fans



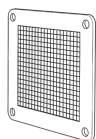
DESCRIPTION

- Frame and scroll: painted pressed steel, with multiple fixing holes configured to allow alignment of the motor in 8 different positions relative to the outlet port.
- Single phase AC motor with 1 operating speed and shaft turning in ball bearings.
- Centrifugal impeller with forward-curved blades of zinc-coated steel, dynamically balanced (UNI ISO 1940, Point 1 – Class 6.3).
- Maximum air flow: 450 m³/h.

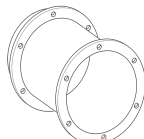
ACCESSORIES



C-GA 15
(GRIGLIA
PROT.ASPIRAZIONE)
Code 22802



C-GM 15
(GRIGLIA
PROT.MANDATA)
Code 22812



C-RA 15
(RACCORDO DI
ASPIRAZIONE)
Code 22826



IREM INVERTER
4 M
Code 12815

PER INFORMAZIONI:

Servizio al Cliente: tel +39 02 90699395 premendo 1 dopo messaggio registrato (consulenza su prodotti e impianti)

Pre & Post Vendita: fax +39 02 90699302

Email prevendita: prevendita@vortice-italy.com