



# Plate mounted axial flow fans

## HXM Series

HXM-200 \*230V 50-60HZ\*



The HXM plate mounted axial flow fans are manufactured from pressed galvanised steel and protected from corrosion by a beige epoxy-polyester paint finish.

All models include a steel finger proof guard as standard mounted to the inlet side of the fan.

Impellers are manufactured from galvanised steel sheet and finished with black polyester paint.

### Motor

HXM-200 to HXM-350: Single phase speed controllable motor 230V-50/60Hz equipped with thermal protection, IP44, Class B insulation, flexible cable (length: 50cm) for connection to the electrical supplies and ball bearings greased for life.

HXM-400: External rotor motor, IP44, Class F insulation, fitted with thermal protection and wiring terminal box.

### Additional Information

Standard air direction: form (A) configuration (Motor over Impeller).

### + Attributes



**Provided with cable for connection to the electrical supplies**  
 Motor protected from corrosion by epoxy-polyester paint finish. Cable to ease connection to electrical supplies (except for HXM-400 model).

**HXM-400 model terminal box**  
 Wiring terminal box including the capacitor.

### + Acoustic characteristics

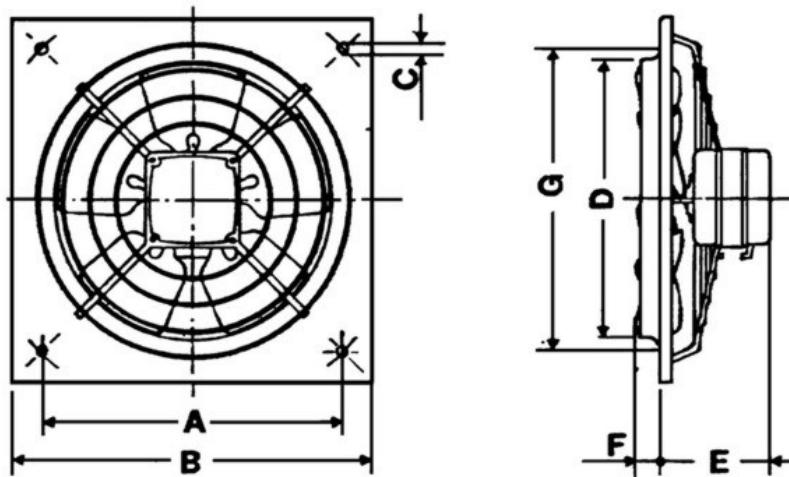
Hz	63	125	250	500	1k	2k	4k	8k	Overall
Inlet (LwA)	20	33	42	46	46	42	37	28	50
Inlet LpA @ 1.5m	5	19	28	31	31	27	22	13	36

## + Technical characteristics

CONSTRUCTION

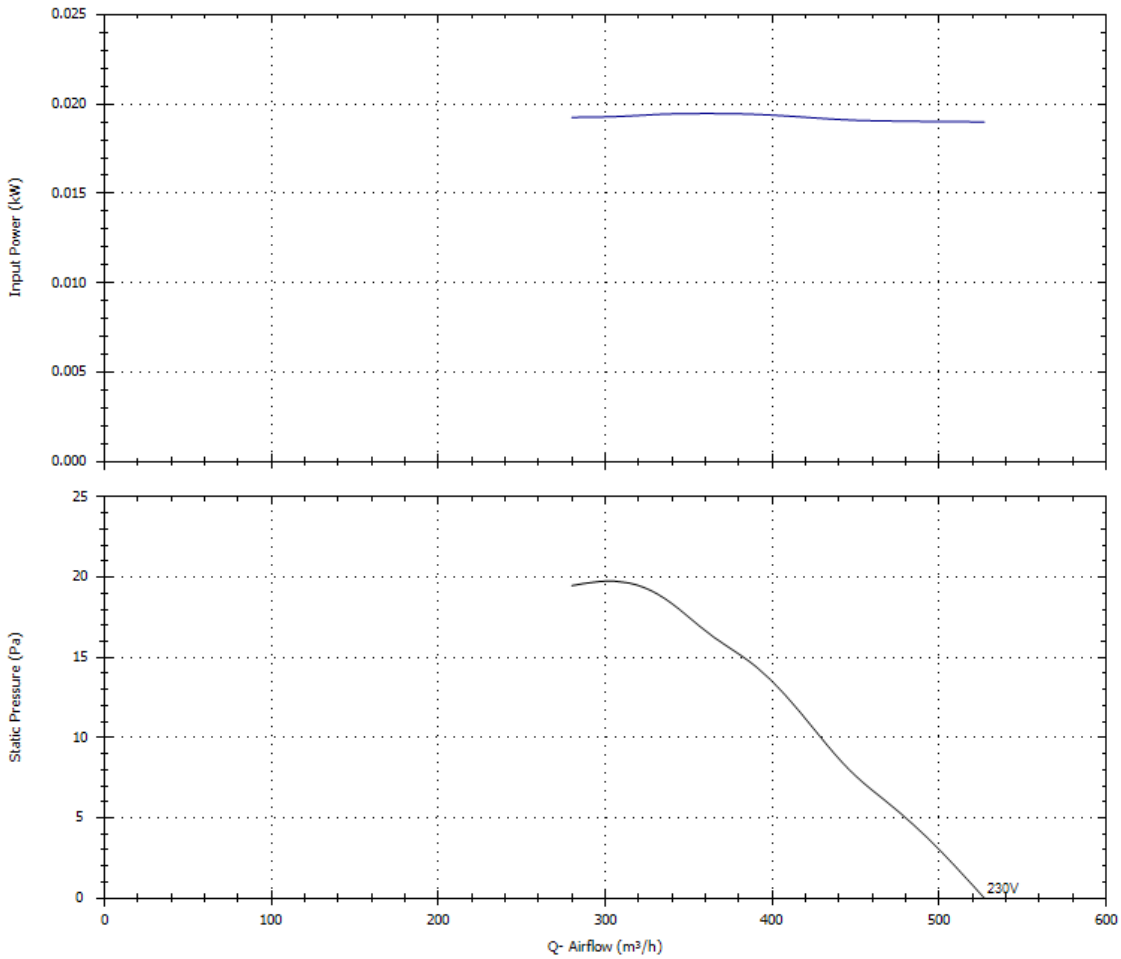
MOTOR CHARACTERISTICS

## + Dimensions



A	B	C	D	E	F	G
222	266	9	205	85,5	19	211

## + Curves



## + Mounting Accessories



**PER-W**  
Back draft plastic  
shutters.



**PER-CR**  
Back draft  
aluminium shutters.

Model	Back draft shutters	
	Plastic	Metal
HXM-200	PER - 200 W	PER - 250 CR
HXM-250	PER - 250 W	PER - 250 CR
HXM-300	PER - 355 W	PER - 355 CR
HXM-350	PER - 355 W	PER - 355 CR
HXM-400	PER - 400 W	PER - 400 CR

## + Electrical Accessories



**REB**  
Electronic,  
single phase  
speed controller.



**RMB**  
Auto transformer,  
single phase  
speed controller.