

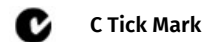
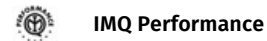
Technical Data Sheet

CODE 17002

VORTICE LINEO 125 V0



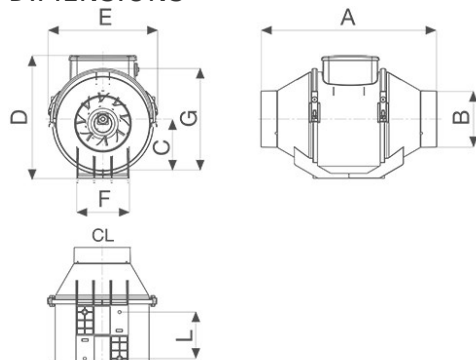
Certifications



TECHNICAL AND PERFORMANCE DATA

Frequency (Hz)	50	Airflow at 1st speed (l/s)	69,4
Insulation class	II°	Airflow at 1st speed (m³/h)	250
IP	44	Max airflow at Max speed (l/s)	101,4
Max absorbed current at Max speed (A)	0,15	Max airflow at Max speed (m³/h)	365
Max absorbed current at Min speed (A)	0,11	Max pressure at Max speed (mmH2O)	17
Max absorbed power at Max speed (W)	33	Max pressure at Max speed (Pa)	166,8
Max ambient temperature for continuous operation (°C)	60	Max RPM	2140
Nominal diameter (mm)	125	Min RPM	1570
Power absorbed at 1st speed (W)	25	Pressure at 1st speed (mmH2O)	13
Voltage (V)	220-240	Pressure at 1st speed (Pa)	127,5
Weight (Kg)	1,8	Sound pressure at 3 m - min speed Lp [dB (A)] 3m - min speed	33,9
		Sound pressure at 3m at Max speed Lp [dB (A)]	43

DIMENSIONS



Size A (mm)	188,5
Size B (mm)	211
Size C (mm)	258
Size D (mm)	122
Size E (mm)	101,5
Size F (mm)	189
Size G (mm)	90
Size H (mm)	60
Size L (mm)	80
Size M (mm)	6

PER INFORMAZIONI / FOR INFORMATION

ITALY

Pre Sales:

prevendita@vortice-italy.com

After Sales:

postvendita@vortice-italy.com

UNITED KINGDOM & REP. OF

IRELAND

Sales Dept:

sales@vortice.ltd.uk

Technical Dept:

technical@vortice.ltd.uk

OTHER COUNTRIES

Sales Dept:

export@vortice-italy.com

After Sales:

after-sales@vortice-italy.com

Technical Data Sheet

CODE 17002

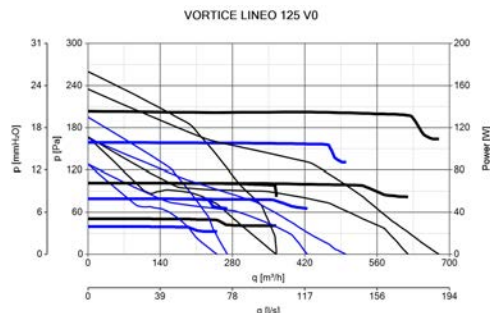
VORTICE LINEO 125 V0



DESCRIPTION

- Material: self-extinguishing plastic resin (self-extinguishing capability V0)
- Nominal diameter 125 mm.
- 2 speed AC motor with thermal overload cutout and shaft turning in ball bearings, coupled to mixed flow axial-centrifugal impeller.
- Minimum air flow 250 m³/h
- Maximum air flow: 365 m³/h
- IMQ SAFETY and IMQ PERFORMANCE certifications
- Vortice speed controllers.

CURVES



ACCESSORIES



LINEO-PF 125

Code 22578



LINEO-C 125

Code 22585



LINEO-SF 500

Code 22593



LINEO-G 125

Code 22702



C5 0.5 (COMANDO 5V 0.5 A)

Code 12987



C 1.5 (COMANDO EL. 1.5 A)

Code 12966



KIT SCB5 (TRASF.5 V.)

Code 22483



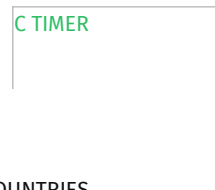
PER INFORMAZIONI / FOR INFORMATION



UNITED KINGDOM & REP. OF
IRELAND
Sales Dept:
sales@vortice.ltd.uk
Technical Dept:
technical@vortice.ltd.uk



OTHER COUNTRIES
Sales Dept:
export@vortice-italy.com
After Sales:
after-sales@vortice-italy.com





C TEMP
Code 12992



C SMOKE
Code 12993



C HCS
Code 12994