

# Technical Data Sheet

CODE 30330

## C 35/4 M E

Centrifugal fans



### Certifications

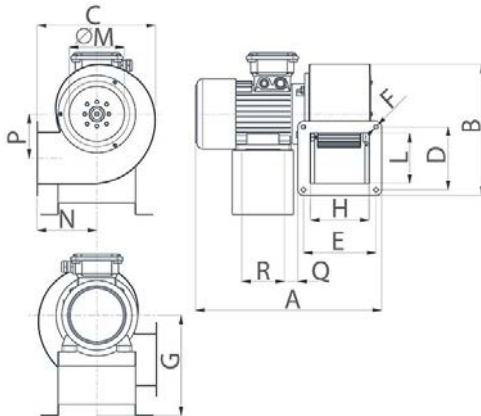
CE CE

EAC EAC

### TECHNICAL AND PERFORMANCE DATA

Frequency (Hz)	50	Voltage (V)	230
Insulation class	I°	Weight (Kg)	11.0
Max absorbed current (A)	1.37	Max airflow (l/s)	353
Max absorbed power (W)	310	Max airflow (m³/h)	1270
Max ambient temperature for continuous operation (°C)	50	Max pressure (mmH2O)	33.1
Motor ATEX marking	55	Max pressure (Pa)	325
Number of phases (Ph)	1	RPM	1400
Number of poles	4	Sound pressure Lp [dB (A)] at 3 m	61.0

### DIMENSIONS



Dimension Q (mm)	45
Dimension R (mm)	90
Size A (mm)	387
Size B (mm)	400
Size C (mm)	340
Size D (mm)	164
Size E (mm)	174
Size F (mm)	8,5
Size G (mm)	71
Size H (mm)	149
Size L (mm)	137
Size M (mm)	∅ 170
Size N (mm)	152
Size P (mm)	144

### PER INFORMAZIONI / FOR INFORMATION

#### ITALY

Pre Sales:

prevendita@vortice-italy.com

After Sales:

postvendita@vortice-italy.com

#### UNITED KINGDOM & REP. OF

IRELAND

Sales Dept:

sales@vortice.ltd.uk

Technical Dept:

technical@vortice.ltd.uk

#### OTHER COUNTRIES

Sales Dept:

export@vortice-italy.com

After Sales:

after-sales@vortice-italy.com

# Technical Data Sheet

CODE 30330

## C 35/4 M E

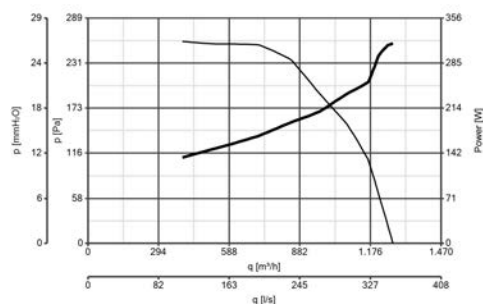
Centrifugal fans



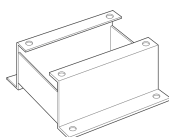
### DESCRIPTION

- Frame and scroll: painted pressed steel, with multiple fixing holes configured to allow alignment of the motor in 8 different positions relative to the outlet port.
- Single phase AC motor with 1 operating speed and shaft turning in ball bearings.
- Centrifugal impeller with forward-curved blades of zinc-coated steel, dynamically balanced (UNI ISO 1940, Point 1 – Class 6.3).
- Maximum air flow: 1520 m<sup>3</sup>/h.

### CURVES

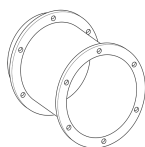


### ACCESSORIES



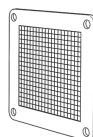
#### C-MS 31/35 (SUPPORTO MOTORE)

Code 22838



#### C-RA 31-35 (RACCORDO DI ASPIRAZIONE)

Code 22830



#### C-GM 35 (GRIGLIA PROT.MANDATA)

Code 22818



#### C-GA 31/35 (GRIGLIA PROT.ASPIRAZIONE)

Code 22805



#### IREM INVERTER 4 M

Code 12815

### PER INFORMAZIONI / FOR INFORMATION

#### ITALY

Pre Sales:  
prevendita@vortice-italy.com  
After Sales:  
postvendita@vortice-italy.com

#### UNITED KINGDOM & REP. OF

#### IRELAND

Sales Dept:  
sales@vortice.ltd.uk  
Technical Dept:  
technical@vortice.ltd.uk

#### OTHER COUNTRIES

Sales Dept:  
export@vortice-italy.com  
After Sales:  
after-sales@vortice-italy.com