

Technical Data Sheet

CODE 30333

C 37/4 TE

Centrifugal fans



Certifications

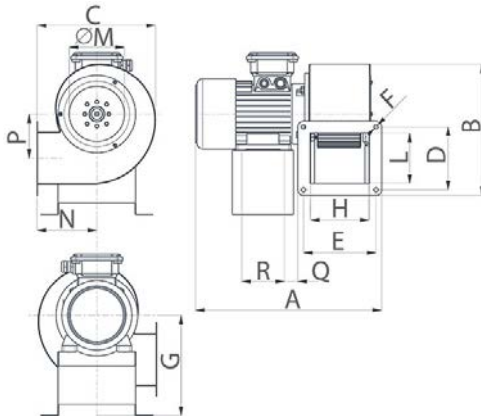
CE CE

EAC EAC

TECHNICAL AND PERFORMANCE DATA

Frequency (Hz)	50	Voltage (V)	400
Insulation class	I°	Weight (Kg)	20,5
Max absorbed current (A)	1.00	Max airflow (l/s)	269.5
Max absorbed power (W)	600	Max airflow (m³/h)	2050
Max ambient temperature for continuous operation (°C)	50	Max pressure (mmH2O)	45.1
Motor ATEX marking	55	Max pressure (Pa)	442.3
Number of phases (Ph)	3	RPM	1380
Number of poles	4	Sound pressure Lp [dB (A)] at 3 m	70

DIMENSIONS



Dimension Q (mm)	50
Dimension R (mm)	100
Size A (mm)	422
Size B (mm)	471
Size C (mm)	416,5
Size D (mm)	220
Size E (mm)	182
Size F (mm)	8,5
Size G (mm)	80
Size H (mm)	149
Size L (mm)	187
Size M (mm)	∅ 199
Size N (mm)	181,5
Size P (mm)	146

PER INFORMAZIONI / FOR INFORMATION

ITALY

Pre Sales:

prevendita@vortice-italy.com

After Sales:

postvendita@vortice-italy.com

UNITED KINGDOM & REP. OF

IRELAND

Sales Dept:

sales@vortice.ltd.uk

Technical Dept:

technical@vortice.ltd.uk

OTHER COUNTRIES

Sales Dept:

export@vortice-italy.com

After Sales:

after-sales@vortice-italy.com

Technical Data Sheet

CODE 30333

C 37/4 TE

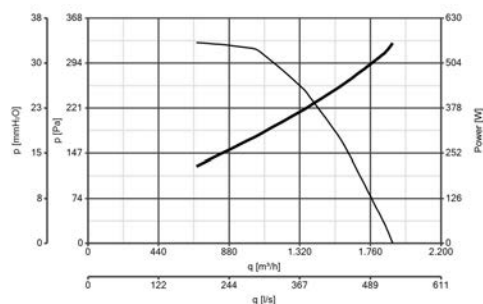
Centrifugal fans



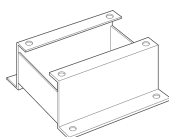
DESCRIPTION

- Frame and scroll: painted pressed steel, with multiple fixing holes configured to allow alignment of the motor in 8 different positions relative to the outlet port.
- Three-phase AC motor with 1 operating speed and shaft turning in ball bearings.
- Centrifugal impeller with forward-curved blades of zinc-coated steel, dynamically balanced (UNI ISO 1940, Point 1 – Class 6.3).
- Maximum air flow: 2300 m³/h.

CURVES

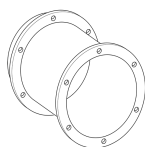


ACCESSORIES



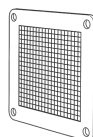
C-MS 37/40 (SUPPORTO MOTORE)

Code 22839



C-RA 37 (RACCORDO DI ASPIRAZIONE)

Code 22832



C-GM 37 (GRIGLIA PROT.MANDATA)

Code 22819



C-GA 37/40 (GRIGLIA PROT.ASPIRAZIONE)

Code 22806



IRET INVERTER 2,5 M

Code 12816

PER INFORMAZIONI / FOR INFORMATION

ITALY

Pre Sales:
prevendita@vortice-italy.com
After Sales:
postvendita@vortice-italy.com

UNITED KINGDOM & REP. OF

IRELAND

Sales Dept:
sales@vortice.ltd.uk
Technical Dept:
technical@vortice.ltd.uk

OTHER COUNTRIES

Sales Dept:
export@vortice-italy.com
After Sales:
after-sales@vortice-italy.com