

Technical Data Sheet

CODE 30334

C 40/4 M E

Centrifugal fans



Certifications

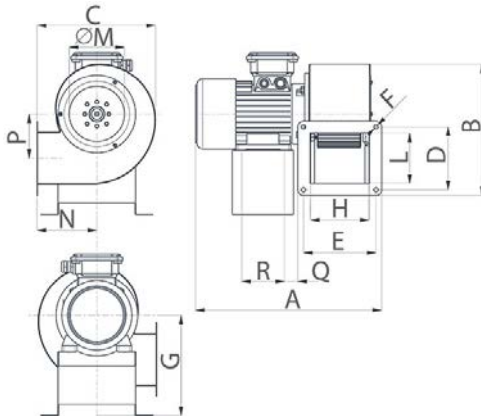
CE CE

EAC EAC

TECHNICAL AND PERFORMANCE DATA

Frequency (Hz)	50	Voltage (V)	230
Insulation class	I°	Weight (Kg)	21.0
Max absorbed current (A)	3.80	Max airflow (l/s)	750
Max absorbed power (W)	870	Max airflow (m³/h)	2700
Max ambient temperature for continuous operation (°C)	50	Max pressure (mmH2O)	51.0
Motor ATEX marking	55	Max pressure (Pa)	500
Number of phases (Ph)	1	RPM	1400
Number of poles	4	Sound pressure Lp [dB (A)] at 3 m	73.0

DIMENSIONS



Dimension Q (mm)	50
Dimension R (mm)	100
Size A (mm)	468
Size B (mm)	472
Size C (mm)	418
Size D (mm)	214
Size E (mm)	208
Size F (mm)	8,5
Size G (mm)	80
Size H (mm)	185
Size L (mm)	187
Size M (mm)	∅ 199
Size N (mm)	181,5
Size P (mm)	147

PER INFORMAZIONI / FOR INFORMATION

ITALY

Pre Sales:

prevendita@vortice-italy.com

After Sales:

postvendita@vortice-italy.com

UNITED KINGDOM & REP. OF

IRELAND

Sales Dept:

sales@vortice.ltd.uk

Technical Dept:

technical@vortice.ltd.uk

OTHER COUNTRIES

Sales Dept:

export@vortice-italy.com

After Sales:

after-sales@vortice-italy.com

Technical Data Sheet

CODE 30334

C 40/4 M E

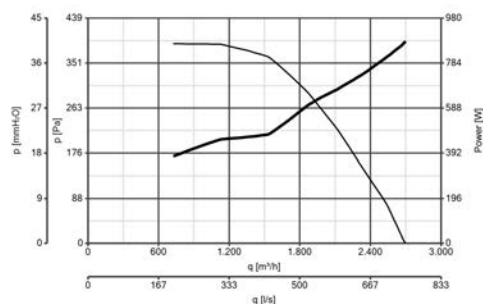
Centrifugal fans



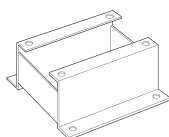
DESCRIPTION

- Frame and scroll: painted pressed steel, with multiple fixing holes configured to allow alignment of the motor in 8 different positions relative to the outlet port.
- Single phase AC motor with 1 operating speed and shaft turning in ball bearings.
- Centrifugal impeller with forward-curved blades of zinc-coated steel, dynamically balanced (UNI ISO 1940, Point 1 – Class 6.3).
- Maximum air flow: 2650 m³/h.

CURVES

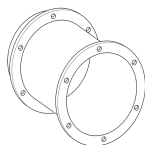


ACCESSORIES



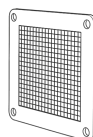
C-MS 37/40 (SUPPORTO MOTORE)

Code 22839



C-RA 40 (RACCORDO DI ASPIRAZIONE)

Code 22833



C-GM 40 (GRIGLIA PROT.MANDATA)

Code 22820



C-GA 37/40 (GRIGLIA PROT.ASPIRAZIONE)

Code 22806



IREM INVERTER 6 M

Code 12818

PER INFORMAZIONI / FOR INFORMATION

ITALY

Pre Sales:
prevendita@vortice-italy.com
After Sales:
postvendita@vortice-italy.com

UNITED KINGDOM & REP. OF

IRELAND

Sales Dept:
sales@vortice.ltd.uk
Technical Dept:
technical@vortice.ltd.uk

OTHER COUNTRIES

Sales Dept:
export@vortice-italy.com
After Sales:
after-sales@vortice-italy.com