

# Technical Data Sheet

CODE 30336

## C 45/4 T E

Centrifugal fans



### Certifications

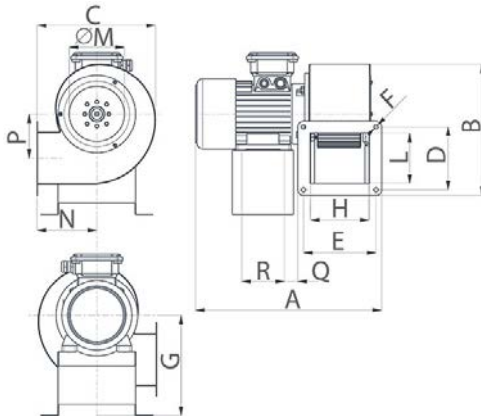
CE CE

EAC EAC

### TECHNICAL AND PERFORMANCE DATA

Frequency (Hz)	50	Voltage (V)	400
Insulation class	I°	Weight (Kg)	23,3
Max absorbed current (A)	4,35	Max airflow (l/s)	1250
Max absorbed power (W)	1900	Max airflow (m³/h)	4500
Max ambient temperature for continuous operation (°C)	50	Max pressure (mmH2O)	74
Motor ATEX marking	55	Max pressure (Pa)	726
Number of phases (Ph)	3	RPM	1400
Number of poles	4	Sound pressure Lp [dB (A)] at 3 m	70,5

### DIMENSIONS



Dimension Q (mm)	56
Dimension R (mm)	125
Size A (mm)	549
Size B (mm)	557,5
Size C (mm)	484,5
Size D (mm)	228
Size E (mm)	228
Size F (mm)	9
Size G (mm)	90
Size H (mm)	200
Size L (mm)	200
Size M (mm)	∅ 240
Size N (mm)	222
Size P (mm)	217

### PER INFORMAZIONI / FOR INFORMATION

#### ITALY

Pre Sales:

prevendita@vortice-italy.com

After Sales:

postvendita@vortice-italy.com

#### UNITED KINGDOM & REP. OF

IRELAND

Sales Dept:

sales@vortice.ltd.uk

Technical Dept:

technical@vortice.ltd.uk

#### OTHER COUNTRIES

Sales Dept:

export@vortice-italy.com

After Sales:

after-sales@vortice-italy.com

# Technical Data Sheet

CODE 30336

## C 45/4 T E

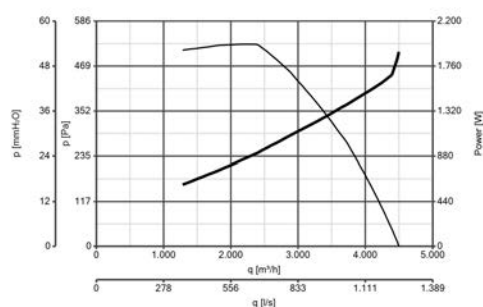
Centrifugal fans



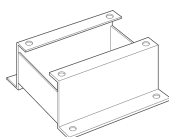
### DESCRIPTION

- Frame and scroll: painted pressed steel, with multiple fixing holes configured to allow alignment of the motor in 8 different positions relative to the outlet port.
- Three-phase AC motor with 1 operating speed and shaft turning in ball bearings.
- Centrifugal impeller with forward-curved blades of zinc-coated steel, dynamically balanced (UNI ISO 1940, Point 1 – Class 6.3).
- Maximum air flow: 4500 m<sup>3</sup>/h.

### CURVES

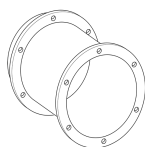


### ACCESSORIES



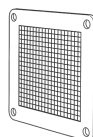
#### C-MS 45 (SUPPORTO MOTORE)

Code 22840



#### C-RA 45 (RACCORDO DI ASPIRAZIONE)

Code 22834



#### C-GM 45 (GRIGLIA PROT.MANDATA)

Code 22821



#### C-GA 45 (GRIGLIA PROT.ASPIRAZIONE)

Code 22807



#### IRET INVERTER 5 M

Code 12817

### PER INFORMAZIONI / FOR INFORMATION

#### ITALY

Pre Sales:  
prevendita@vortice-italy.com  
After Sales:  
postvendita@vortice-italy.com

#### UNITED KINGDOM & REP. OF

#### IRELAND

Sales Dept:  
sales@vortice.ltd.uk  
Technical Dept:  
technical@vortice.ltd.uk

#### OTHER COUNTRIES

Sales Dept:  
export@vortice-italy.com  
After Sales:  
after-sales@vortice-italy.com