

Technical Data Sheet

CODE 40503

E 304 M

Low-pressure plate axial fans



Certifications

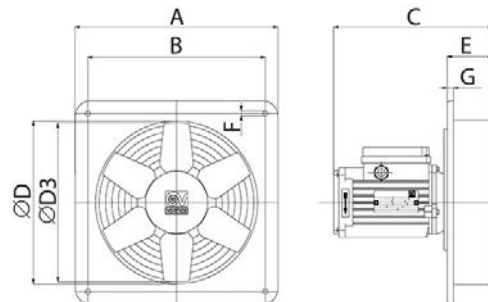
CE CE

EAC EAC

TECHNICAL AND PERFORMANCE DATA

Absorbed current at 220 V (A)	0,33	Motor ATEX marking	44
Absorbed current at 240 V (A)	0,40	Nominal diameter (mm)	315
Absorbed power at 220 V (W)	55	Number of poles	4
Absorbed power at 240 V (W)	70	Voltage (V)	220-240
Frequency (Hz)	50	Weight (Kg)	3
Insulation class	I°	Max airflow (l/s)	377,8
Max absorbed current (A)	0,40	Max airflow (m³/h)	1360
Max absorbed power (W)	70	Max pressure (mmH2O)	7,5
Max ambient temperature for continuous operation (°C)	65	Max pressure (Pa)	74
Max temperature of exhaust air (continuous operation)	65	RPM	1400
		Sound pressure Lp [dB (A)] at 3 m	54

DIMENSIONS



Ø (mm)	315
Size A (mm)	380
Size B (mm)	330
Size C (mm)	203
Size D (mm)	Ø
	308
Size D3 (mm)	Ø
	300
Size E (mm)	70
Size F (mm)	8
Size G (mm)	10

PER INFORMAZIONI / FOR INFORMATION

ITALY

Pre Sales:

prevendita@vortice-italy.com

After Sales:

postvendita@vortice-italy.com

UNITED KINGDOM & REP. OF

IRELAND

Sales Dept:

sales@vortice.ltd.uk

Technical Dept:

technical@vortice.ltd.uk

OTHER COUNTRIES

Sales Dept:

export@vortice-italy.com

After Sales:

after-sales@vortice-italy.com

Technical Data Sheet

CODE 40503

E 304 M

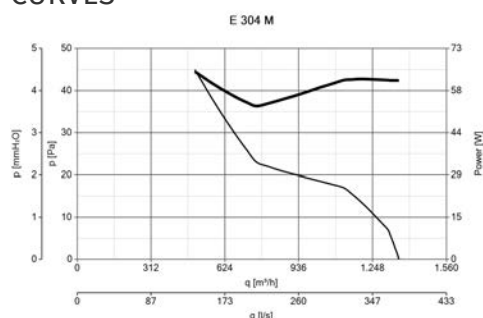
Low-pressure plate axial fans



DESCRIPTION

- Nominal diameter 300 mm
- Wall-mounting panel manufactured from phosphated pressed steel, polyester powder coated with hammered effect finish, guaranteeing long-term resistance to atmospheric agents.
- Ventilation port fashioned in one piece with the panel and gauged to optimize air flow.
- Protective grille (in accordance with UNI ISO 13857 standard) combining the function of motor bracket, made of electrically welded steel with epoxy paint finish, colour black. Easy removal simplifies maintenance and cleaning of the fan.
- 1 speed asynchronous single phase AC motor with shaft turning in double shielded ball bearings, insulation class F.
- Maximum air flow: 1,360 m³/h.
- Impeller with 6 wing profile blades keyed to a diecast aluminium hub and dynamically balanced (UNI ISO 1940 – Balancing class 6.3), optimized to deliver maximum performance and low noise levels, moulded from filled polypropylene for superior dimensional stability and resistance to atmospheric agents.
- Vortice speed controller.

CURVES



ACCESSORIES



IRM 30
Code 12921



IREM 3 CD
99250080
Code 12931



IREM 5 CD
99250081
Code 12932



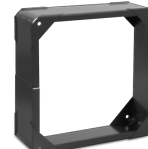
IREM 9 CD
99250082
Code 12933



PGR 300
(PERSIANA
GRAVITA')



TRA 300
(TELAIO CON
RETE ANTINF.)



DPU 300
(DISTANZIATORE)
Code 52251

PER INFORMAZIONI / FOR INFORMATION

ITALY
Pre Sales:
prevendita@vortice-italy.com
After Sales:
postvendita@vortice-italy.com

UNITED KINGDOM & REP. OF
IRELAND
Sales Dept:
sales@vortice.ltd.uk
Technical Dept:
technical@vortice.ltd.uk

OTHER COUNTRIES
Sales Dept:
export@vortice-italy.com
After Sales:
after-sales@vortice-italy.com



IREM INVERTER

4 M

Code 12815