

# Technical Data Sheet

CODE 40703

## E 354 M

Low-pressure plate axial fans



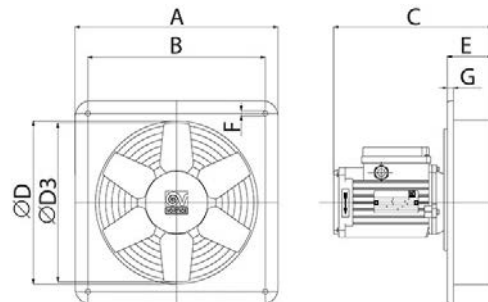
### Certifications



### TECHNICAL AND PERFORMANCE DATA

Absorbed current at 220 V (A)	0,44	Motor ATEX marking	44
Absorbed current at 240 V (A)	0,45	Nominal diameter (mm)	355
Absorbed power at 220 V (W)	85	Number of poles	4
Absorbed power at 240 V (W)	95	Voltage (V)	220-240
Frequency (Hz)	50	Weight (Kg)	4
Insulation class	I°	Max airflow (l/s)	514
Max absorbed current (A)	0,45	Max airflow (m³/h)	1850
Max absorbed power (W)	95	Max pressure (mmH2O)	4,6
Max ambient temperature for continuous operation (°C)	65	Max pressure (Pa)	45
Max temperature of exhaust air (continuous operation)	65	RPM	1400
		Sound pressure Lp [dB (A)] at 3 m	66,5

### DIMENSIONS



Ø (mm)	355
Size A (mm)	450
Size B (mm)	380
Size C (mm)	203
Size D (mm)	Ø
	360
Size D3 (mm)	Ø
	350
Size E (mm)	70
Size F (mm)	8
Size G (mm)	10

### PER INFORMAZIONI / FOR INFORMATION

#### ITALY

Pre Sales:

prevendita@vortice-italy.com

After Sales:

postvendita@vortice-italy.com

#### UNITED KINGDOM & REP. OF

#### IRELAND

Sales Dept:

sales@vortice.ltd.uk

Technical Dept:

technical@vortice.ltd.uk

#### OTHER COUNTRIES

Sales Dept:

export@vortice-italy.com

After Sales:

after-sales@vortice-italy.com

# Technical Data Sheet

CODE 40703

**E 354 M**

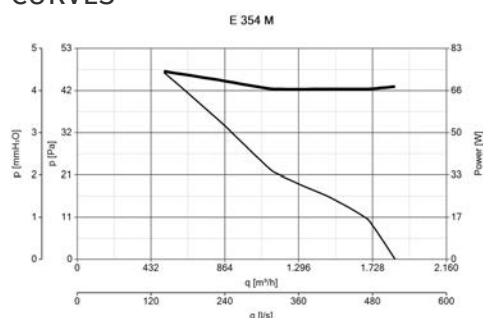
Low-pressure plate axial fans



## DESCRIPTION

- Nominal diameter 350 mm
- Wall-mounting panel manufactured from phosphated pressed steel, polyester powder coated with hammered effect finish, guaranteeing long-term resistance to atmospheric agents.
- Ventilation port fashioned in one piece with the panel and gauged to optimize air flow.
- Protective grille (in accordance with UNI ISO 13857 standard) combining the function of motor bracket, made of electrically welded steel with epoxy paint finish, colour black. Easy removal simplifies maintenance and cleaning of the fan.
- 1 speed asynchronous single phase AC motor with shaft turning in double shielded ball bearings, insulation class F.
- Maximum air flow: 1,850 m<sup>3</sup>/h.
- Impeller with 6 wing profile blades keyed to a diecast aluminium hub and dynamically balanced (UNI ISO 1940 – Balancing class 6.3), optimized to deliver maximum performance and low noise levels, moulded from filled polypropylene for superior dimensional stability and resistance to atmospheric agents.
- Vortice speed controller.

## CURVES



## ACCESSORIES



**IRM 30**  
Code 12921



**IREM 3 CD**  
**99250080**  
Code 12931



**IREM 5 CD**  
**99250081**  
Code 12932



**IREM 9 CD**  
**99250082**  
Code 12933

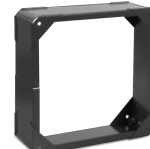
PER INFORMAZIONI / FOR INFORMATION



**PGR 350**  
**(PERSIANA**  
**GRAVITA')**



**TRA 350**  
**(TELAIO CON**  
**RETE ANTINF.)**



**DPU 350**  
**(Distanziatore)**  
Code 52351

ITALY  
Pre Sales:  
prevendita@vortice-italy.com  
After Sales:  
postvendita@vortice-italy.com

UNITED KINGDOM & REP. OF  
IRELAND  
Sales Dept:  
sales@vortice.ltd.uk  
Technical Dept:  
technical@vortice.ltd.uk

OTHER COUNTRIES  
Sales Dept:  
export@vortice-italy.com  
After Sales:  
after-sales@vortice-italy.com



## **IREM INVERTER**

**4 M**

Code 12815