

Technical Data Sheet

CODE 41153

E 454 M

Low-pressure plate axial fans



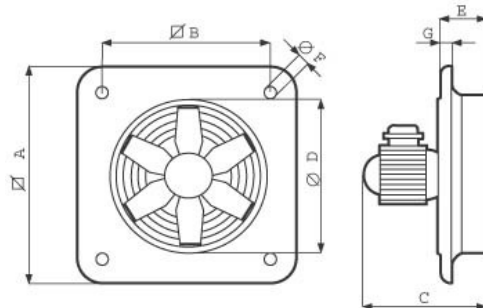
Certifications



TECHNICAL AND PERFORMANCE DATA

Absorbed current at 220 V (A)	0,95	Motor ATEX marking	44
Absorbed current at 240 V (A)	0,95	Nominal diameter (mm)	450
Absorbed power at 220 V (W)	195	Number of poles	4
Absorbed power at 240 V (W)	210	Voltage (V)	220-240
Frequency (Hz)	50	Weight (Kg)	7
Insulation class	I°	Max airflow (l/s)	1083
Max absorbed current (A)	0,95	Max airflow (m³/h)	3900
Max absorbed power (W)	210	Max pressure (mmH2O)	9,0
Max ambient temperature for continuous operation (°C)	70	Max pressure (Pa)	88
Max temperature of exhaust air (continuous operation)	70	RPM	1400
		Sound pressure Lp [dB (A)] at 3 m	66

DIMENSIONS



Size A (mm)	630
Size B (mm)	530
Size C (mm)	269
Size D (mm)	∅
	460
Size E (mm)	85
Size F (mm)	∅ 12
Size G (mm)	15

PER INFORMAZIONI / FOR INFORMATION

ITALY

Pre Sales:

prevendita@vortice-italy.com

After Sales:

postvendita@vortice-italy.com

UNITED KINGDOM & REP. OF

IRELAND

Sales Dept:

sales@vortice.ltd.uk

Technical Dept:

technical@vortice.ltd.uk

OTHER COUNTRIES

Sales Dept:

export@vortice-italy.com

After Sales:

after-sales@vortice-italy.com

Technical Data Sheet

CODE 41153

E 454 M

Low-pressure plate axial fans



DESCRIPTION

- Nominal diameter 450 mm
- Wall-mounting panel manufactured from phosphated pressed steel, polyester powder coated with hammered effect finish, guaranteeing long-term resistance to atmospheric agents.
- Ventilation port fashioned in one piece with the panel and gauged to optimize air flow.
- Protective grille (in accordance with UNI ISO 13857 standard) combining the function of motor bracket, made of electrically welded steel with epoxy paint finish, colour black. Easy removal simplifies maintenance and cleaning of the fan.
- 1 speed asynchronous single phase AC motor with shaft turning in double shielded ball bearings, insulation class F.
- Maximum air flow: 3,900 m³/h.
- Impeller with 6 wing profile blades keyed to a diecast aluminium hub and dynamically balanced (UNI ISO 1940 – Balancing class 6.3), optimized to deliver maximum performance and low noise levels, moulded from filled polypropylene for superior dimensional stability and resistance to atmospheric agents.
- Vortice speed controller.

ACCESSORIES



IRM 30

Code 12921



IREM 3 CD

99250080

Code 12931



IREM 5 CD

99250081

Code 12932



IREM 9 CD

99250082

Code 12933



PGR 450/500

**(PERSIANA
GRAVITA')**

Code 50550



TRA 450/500

**(TELAIO CON
RETE ANTINF.)**

Code 51550



IREM INVERTER

4 M

Code 12815

PER INFORMAZIONI / FOR INFORMATION

ITALY

Pre Sales:
prevendita@vortice-italy.com

After Sales:
postvendita@vortice-italy.com

UNITED KINGDOM & REP. OF

IRELAND

Sales Dept:
sales@vortice.ltd.uk

Technical Dept:
technical@vortice.ltd.uk

OTHER COUNTRIES

Sales Dept:
export@vortice-italy.com

After Sales:
after-sales@vortice-italy.com