

Technical Data Sheet

CODE 61086

NORDIK HVLS SUPER BLADE 300/120" E T

Industrial ceiling fans

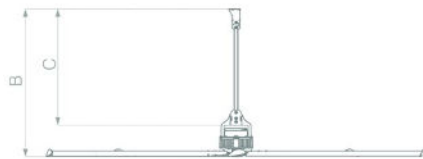


Certifications

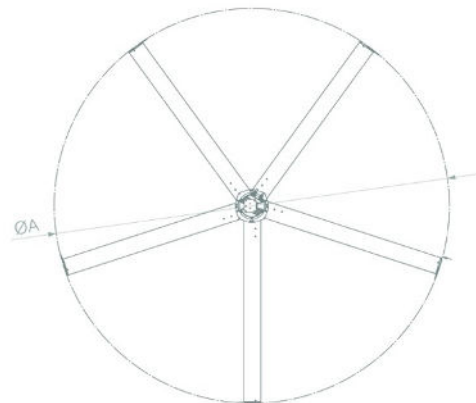
TECHNICAL AND PERFORMANCE DATA

Frequency (Hz)	50-60	Voltage (V)	200-480
Max absorbed power (W)	725	Weight (Kg)	70
Max ambient temperature for continuous operation (°C)	50	Max airflow (m³/h)	280.000
No of blades	5	Max RPM	150
Nominal current (A)	1,97	Min RPM	10
Nominal diameter (m)	3	Sound pressure at 5m calculated in free field Lp [dB (A)]	<60

DIMENSIONS



Diameter A (mm)	Ø3000
Size B (mm)	1880
Size C (mm)	1470



PER INFORMAZIONI / FOR INFORMATION

ITALY

Pre Sales:
prevendita@vortice-italy.com
After Sales:
postvendita@vortice-italy.com

UNITED KINGDOM & REP. OF

IRELAND

Sales Dept:
sales@vortice.ltd.uk
Technical Dept:
technical@vortice.ltd.uk

OTHER COUNTRIES

Sales Dept:
export@vortice-italy.com
After Sales:
after-sales@vortice-italy.com

Technical Data Sheet

CODE 61086

NORDIK HVLS SUPER BLADE 300/120" E T



Industrial ceiling fans

DESCRIPTION

- Nominal diameter of blades: 300 cm.
- Three-phase EC (brushless) motor, thermally insulated, able to grant lower energy consumptions ("E" version).
- Aero-foil blades made of extruded aluminium, equipped with winglets able to decrease the drag caused by wingtip vortices.
- Electronic board allowing power management and functioning control, with EMI/EMC filters to prevent risks of electromagnetic interference, housed in motor covers. The electronic board includes:
 - A ModBus RTU 485 communication port, allowing BMS integration,
 - An insulated analogic port allowing the fan speed regulation through the external potentiometer (available as optional) or through another 0-10 V signal working device.
- Safety system integrated into the electronic board including protection against overcurrent, short circuit, overheating, overvoltage and under-voltage.
- External Led light able to show possible product malfunctions.
- Steel sheet ceiling installation kit composed of rod (nominal length 1,5 m), a pair of brackets and relative metal parts, supplied as standard. This kit allows the correct and robust device mounting to the ceiling in the most common installation type.
- Optional kit consisting of a pair of rods, designed to allow greater axial stability. This kit is mandatory in case of:
 - Strong wind,
 - Risk of accidental collisions with machines or objects in motion near the ceiling fan,
 - Presence of birds,
 - Seismic zone installation or areas characterized by vibrations (ex. Industrial processes involving the use of hammers or industrial presses).
- Adjustable speed through potentiometer or remote control unit (VORT T) able to handle up to 20 units (control units supplied as optional).
- Motor protection class IP65.

ACCESSORIES



VORT T

Code 21137



POT

Code 12828



POT-I

Code 12832



WP

Code 21197



USB-C

Code 21198

PER INFORMAZIONI / FOR INFORMATION

ITALY

Pre Sales:
prevendita@vortice-italy.com
After Sales:
postvendita@vortice-italy.com

UNITED KINGDOM & REP. OF

IRELAND

Sales Dept:
sales@vortice.ltd.uk
Technical Dept:
technical@vortice.ltd.uk

OTHER COUNTRIES

Sales Dept:
export@vortice-italy.com
After Sales:
after-sales@vortice-italy.com